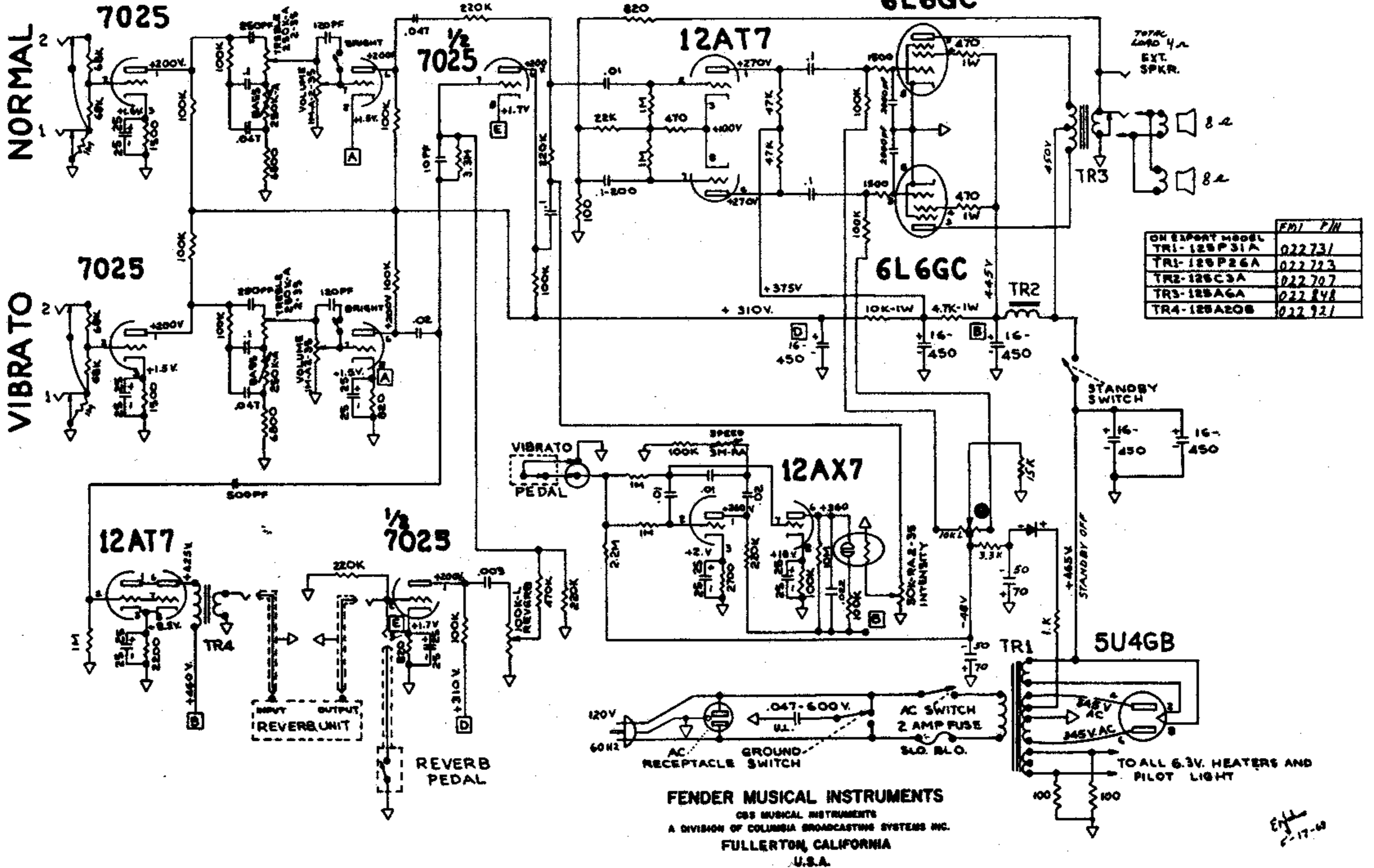


# FENDER "VIBROLUX REVERB-AMP AA270" SCHEMATIC NOTICE

THIS PRODUCT MANUFACTURED UNDER ONE OR MORE OF THE FOLLOWING U.S. PATENTS: #2817708, #2973481, 192859 / PATENTS PENDING.

- 1- VOLTAGES READ TO GROUND WITH ELECTRONIC VOLTMETER. VALUES SHOWN + OR - 20%.
- 2- ALL RESISTORS 1/2 WATT 10% TOLERANCE IF NOT SPECIFIED.
- 3- ALL CAPACITORS AT LEAST 400 VOLT RATING IF NOT SPECIFIED.
- 4- VIBRATO GROUNDING



ON BOARD MODEL	FBI P/N
TR1-128P31A	022731
TR2-128C3A	022707
TR3-128A6A	022848
TR4-128A20B	022921

FENDER MUSICAL INSTRUMENTS  
 CBS MUSICAL INSTRUMENTS  
 A DIVISION OF COLUMBIA BROADCASTING SYSTEMS INC.  
 FULLERTON, CALIFORNIA  
 U.S.A.

DWG. TITLE			
SCHEMATIC & WIRING DIAGRAM			
VIBROLUX REVERB-AMP			
P.C.	SIZE	DWG. NO.	REV.
	D	045443	F
SCALE	MODEL	TUBE TYPE	SHEET 1 OF 2
NONE		VIBROLUX-REV-AMP	

F	INCORPORATED ECN # 2053	2/11/70	
E	INCORPORATED ECN # 11-7		
D	INCORPORATED ECN # 11-74		
C	INCORPORATED ECN # 11-72	11-73	
B	INCORPORATED ECN # 1050	5-29-69	

Eng  
2-17-69